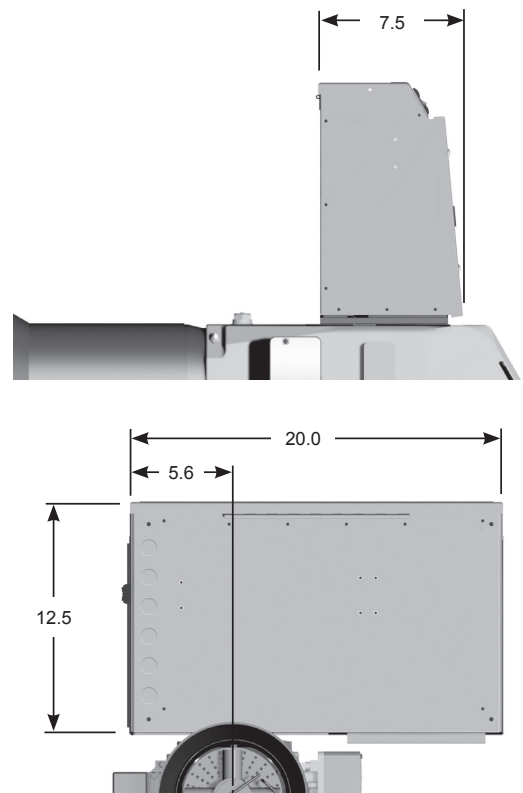


# New Electrical Cabinet and Panel Packages



## Features:

- Available on all Oil and Gas Burners
- Easy Access
- New Terminal Strip for easy installation
- Two Mounting Options (Burner or Remote)
- Standard Window
- PSL07
- Power On Light/switch
- 120V Alarm Buzzer
- Alarm Silencer
- Signal Lights (Fuel On, Flame Fail, Low Water, High Limit, Call for Heat, Ignition)



**KEY**

AR = ALARM RELAY  
 DM = DAMPER MOTOR  
 CV1 = ON/OFF VALVE  
 CV2 = HIGH/LOW VALVE  
 H/L = LOW HI CONTROL SUPPLIED BY INSTALLER  
 LA = LOW FIRE AIR RELAY  
 LFHS = LOW FIRE HOLD SWITCH  
 LWCO = LOW WATER CUTOFF  
 M = MOTOR  
 MC = MOTOR CONTACTOR  
 OL = OVERLOADS  
 RHL = HIGH LIMIT RELAY  
 RLW = LOW WATER RELAY  
 TRANS = IGNITION TRANSFORMER

**LEGEND**

○ = CONTACT/RELAY COIL  
 ⊗ = LIGHT (R = RED, G = GREEN, A = AMBER)  
 - - - = WIRING SUPPLIED BY INSTALLER  
 = = CROSSOVER WIRES  
 = = FACTORY JUMPER TO BE REMOVED FOR FIELD WIRING TIE-IN

**WIRE COLOR**

A - WHITE  
 B - BLACK  
 C - BLUE  
 D - ORANGE  
 E - BROWN/RED  
 F - RED  
 G - BROWN  
 H - RED/WHITE  
 J - BLUE/WHITE  
 K - VIOLET  
 L - BLACK/RED  
 M - BLACK/WHITE  
 P - GREEN  
 Q - BROWN/WHITE

MOTOR WIRE - 14GA.  
 ALL OTHER WIRE - 16 GA.  
 UNSPECIFIED WIRE COLORS BASED ON COMPONENTS

**FLAME SAFEGUARD CONFIGURATION**

PURGE TIMER: 60 SECONDS  
 PROGRAMMING: VALVE PROVING = NEVER  
 POST PURGE = 15 SECONDS  
 RELAY MODULE JUMPER: CLIP AND REMOVE JR1

**NOTES**

1. FOR CG15 OPTIONAL FLAME ROD, RUN BLUE WIRE TO FLAME ROD, GROUND G TO CHASSIS  
 2. PCL07

**TABLE 1**

VALVE CONNECTIONS				
V	V NO VENT VALVE (IF USED)	C1	C2	C3
V4295S	L	N	---	---
GV1 ON/OFF VALVE				
V4055(B/E)	1	2	---	---
V4295A	L	N	---	---
V4943A	BLACK	ORANGE	---	---
V4943B	BLACK	ORANGE	---	---
GV2 LOW/HIGH VALVE				
V4062(A/D)	1	2	3	---
V4944B	BLACK	ORANGE	BLUE	---

DESCRIPTION: CG15/25/50 LOW/HIGH/LOW RM7897C CONTROL

DRAWN/REV. BY: BPS LG  
 CHECKED BY: LG  
 DRAWN/REV. DATE: 01/09/13

LAST CHANGE: PRODUCTION RELEASE

REVISION: 0

SCHEMATIC NO: 698P041

